

Stockton 11 Double high canopy in Matt Black burning logs.





Stockton 8 Double flat top in Matt Black burning logs.



STEEL

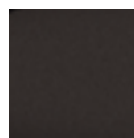
Stockton Double Sided

Enjoy twice the comfort and twice the view of your fire with a Stockton double sided stove. Using one central chimney, the doors to both the back and the front of the stove are designed to open into adjacent rooms. So, compared to individual stoves in each room, you have less work refuelling and even more of a focal point to your home.

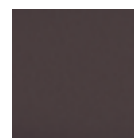
There are two sizes of stove from which to choose – Stockton 8 Double and Stockton 11 Double. Although this double sided configuration does not allow the incorporation of full cleanburn technology both stoves still include an airwash system to keep the glass clean. The smaller Stockton 8 will provide you with a significant heat output, up to 9kW, whilst the 11 Double produces an even more powerful 11kW. Otherwise, the two models have exactly the same specifications as their single sided equivalents.

Key Facts	8 Double	11 Double
Wood	✓	✓
Multi-fuel kit	✓	✓
High efficiency	up to 73%	up to 77%
Airwash	✓	✓
Maximum heat output	9kW	11kW
Maximum log length	15 ³⁴ " (400mm)	19 ³⁴ " (500mm)
Boiler option	X	X
Flue outlet	6" top	6" top
Choice of four colours	✓	✓

Product Codes	Matt Black	Metallic Blue	Metallic Brown	Metallic Green
8 Double – wood, flat top	7113SD	7113SDBL	7113SDBR	7113SDGR
8 Double – wood, high canopy	7113SDHC	7113SDHCBL	7113SDHCBR	7113SDHCGR
Multi-fuel kit	7111SDCE all models			
Sparkguard	7228 all models			
11 Double – wood, flat top	7116SD	7116SDBL	7116SDBR	7116SDGR
11 Double – wood, high canopy	7116SDHC	7116SDHCBL	7116SDHCBR	7116SDHCGR
Multi-fuel kit	7112SDCE all models			
Sparkguard	7221 all models			



Matt Black



Metallic Blue



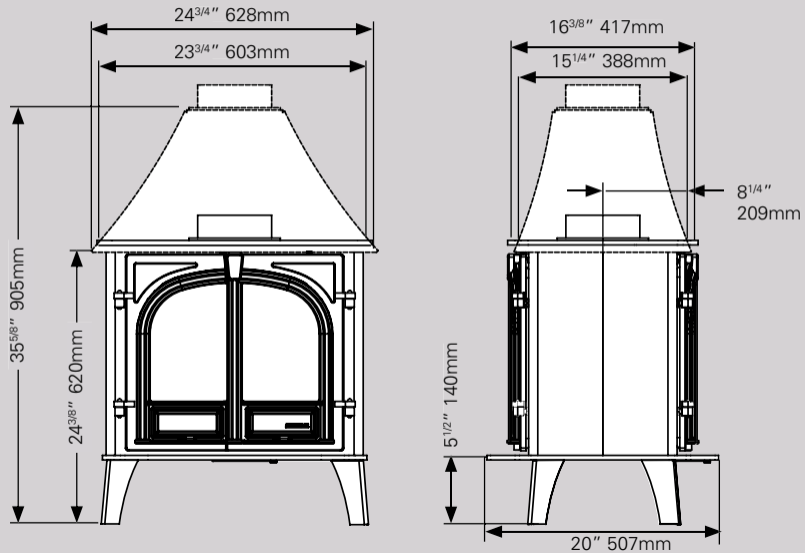
Metallic Brown



Metallic Green

Weight: 120kg

Stockton 8 Double Sided

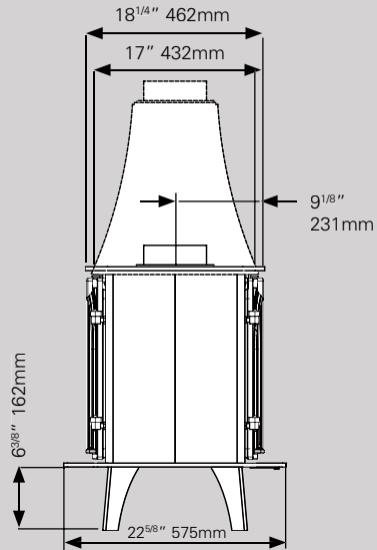
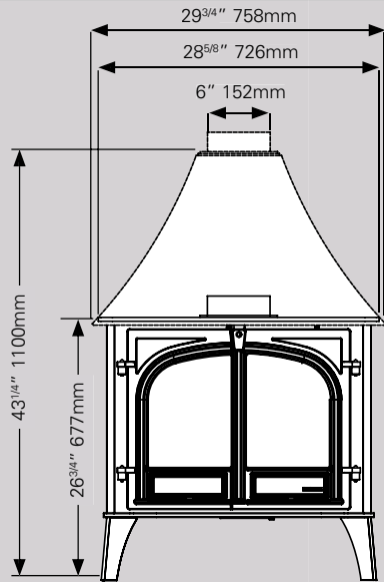


Connects with 6" flue pipe using:

Size	With door	Without door
1' straight	4604	4600
2' straight	4605	4601
3' straight	4606	4602
1' 3" – 2' 1" (telescopic)		4642
3' 4" – 4' 6" (telescopic)		4640
Tee piece with end cap		4616

Weight: 160kg - 175kg

Stockton 11 Double Sided



Connects with 6" flue pipe using:

Size	With door	Without door
1' straight	4604	4600
2' straight	4605	4601
3' straight	4606	4602
1' 3" - 2' 1" (telescopic)		4642
3' 4" - 4' 6" (telescopic)		4640
Tee piece with end cap		4616