



Multi-fuel Midnight Blue Huntingdon 40  
burning smokeless fuel. Sandringham  
limestone surround also by Stovax.



Matt Black multi-fuel Huntingdon 40 with clear door and optional short legs burning logs.

# Huntingdon 40

The biggest model in the Huntingdon range – and the most powerful. With up to 9kW of heat output, the 40 is equally at home in both traditional inglenook and modern fireplace settings. You can choose from either the woodburning version with flat cast iron base plate or the multi-fuel version with external riddling and concealed ashpan. Also, do not forget to opt for matching flue pipe, particularly when installing your stove in an inglenook.

## Key Facts

Wood version	✓
High efficiency	up to 88%
Multi-fuel version (with external riddling)	✓
Tracery or clear door (multi-fuel, matt black)	✓
Ashpan	✓
Cleanburn	✓
Airwash	✓
Concealed handles and hinges	✓
Maximum heat output	9kW
Maximum log length	15 <sup>3</sup> / <sub>4</sub> " (400mm)
Shorter leg option	✓
Boiler option	✓ (3.5kW)
Flue outlet	6" top or rear
Matching flue pipe in three colours	✓

## Product Codes

Colour	Matt Black	Midnight Blue	Laurel Green
Wood - tracery door	7069	-	-
Multi-fuel - tracery door	7075	7075BL	7075LG
Multi-fuel - clear door	7074	-	-
Short legs (set of 4)	7090S	7090BLS	7090LGS
Steel boiler	7094 all models		
Ash Caddy	4227 all models		



Matt Black



Midnight Blue Enamel



Laurel Green Enamel



# Huntingdon 40

Weight: 180kg

Connects with 6" flue pipe using:

Size	With door	Without door
1' straight	4604	4600
2' straight	4605	4601
3' straight	4606	4602
1' 3" – 2' 1" (telescopic)		4642
3' 4" – 4' 6" (telescopic)		4640
Tee piece with end cap		4616

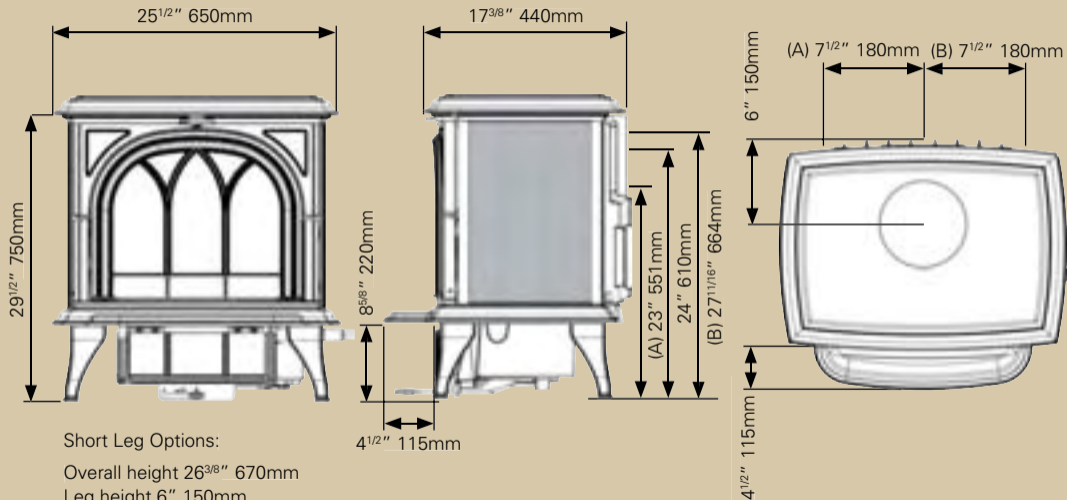
For coloured enamel flue pipe codes see page 62.

Maximum heat output:

To boiler 3.5kW (12,000 BTU's)

To room 5.5kW (18,800 BTU's)

Total 9kW (30,800 BTU's)



Short Leg Options:

Overall height 26 3/8" 670mm

Leg height 6" 150mm

(A) and (B) Tapping points for boiler options.