

Large Regency with
brass rail set (3013)
burning logs.





Barbecue grill



Bean pot assembly



Firescreen

CAST IRON

Regency

Originally patented in 1742 by Benjamin Franklin, the Regency enjoys a pedigree unmatched by any other stove. It was designed at a time when America was still a British colony and its proportions were undoubtedly influenced by Franklin's extended visits to Georgian London. With the doors open and a fire burning, the Regency's large firebox produces the atmosphere of a traditional open fireplace.

The Regency is supplied in three sizes. A pair of polished brass balls are supplied with each stove and a brass rail set is available as an optional accessory. Cast into the side panel of every Regency is a support bracket into which a barbecue or bean pot may be fixed. Each of these is manufactured from cast iron and is supplied complete with a swinging arm with locates into the support bracket.

Key Facts

Size	Small	Medium	Large
Multi-fuel	✓	✓	✓
Ashpan	✓	✓	✓
Maximum heat output	6kW	7.5kW	9kW
Maximum log length	16" (410mm)	19" (480mm)	23" (580mm)
Flue outlet	8" top or rear	8" top or rear	8" top or rear

Product Codes

Size	Small	Medium	Large
Multi-fuel	1000	1001	1002
Brass rail set	3041	3012	3013
Barbecue grill	1008	1009	1009
Bean pot assembly	3027	3026	3026
Firescreen	3008	3008	3009
Ash Caddy	4230	4230	-



Medium Regency with doors closed



Matt Black



Small & Medium

Regency Small

Weight: 114kg

Connects with 8" flue pipe using:



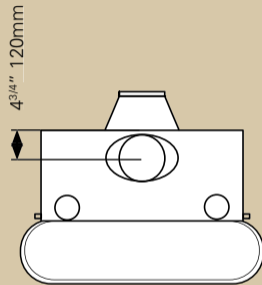
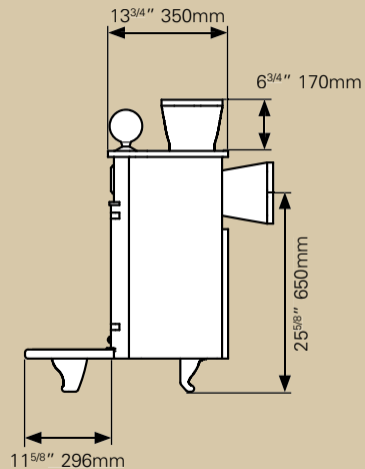
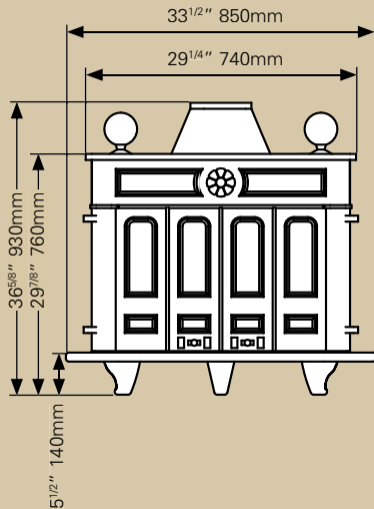
Straight Double Socket

1': 4808
2': 4809
3': 4810



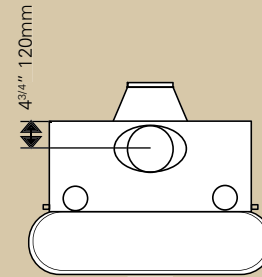
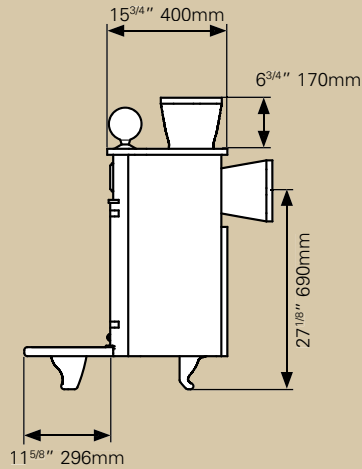
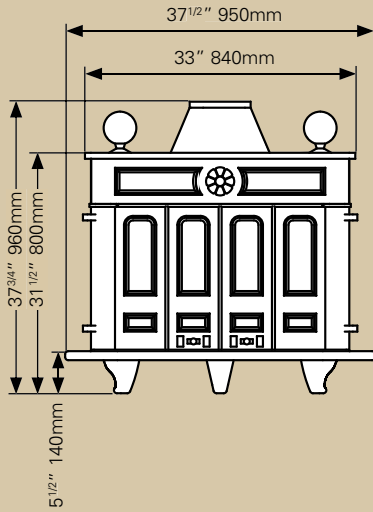
Double Tee Piece
with end cap

4817



Weight: 136kg

Regency Medium



Connects with 8" flue pipe using:



Straight Double Socket

- 1': 4808
- 2': 4809
- 3': 4810

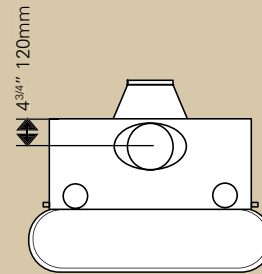
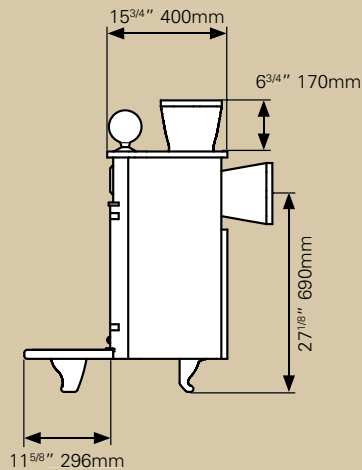
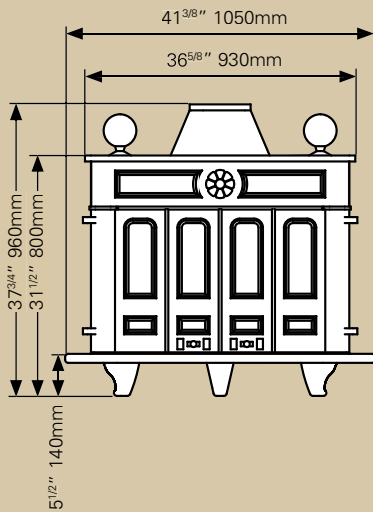


Double Tee Piece with end cap

4817

Weight: 150kg

Regency Large



Connects with 8" flue pipe using:



Straight Double Socket

- 1': 4808
- 2': 4809
- 3': 4810



Double Tee Piece with end cap

4817