

Sheraton Stoves are available with optional longer legs, which increase the overall height from 23^{3/8}" (595mm) to 26^{5/8}" (677mm).





Sheraton stove with standard legs, burning logs.



CAST IRON

Sheraton

With clean classical lines and extra large thermal glass windows, the Sheraton is ideal for use in traditional or modern settings. Its rear flue exit will also fit into a standard British fireplace opening. The stove is offered with different grate and thermostat options and a matt black finish. The firebox has a large capacity and uses vermiculite fire bricks; these, together with the advanced aeration system, help to produce a very clean burn with lower environmental pollution. The aeration system also incorporates a very effective airwash system to keep the windows clean.

Key Facts

Woodburning version	✓
High efficiency	up to 84%
Multi-fuel version (with external riddling)	✓
Ashpan	✓
Airwash	✓
Longer leg option	✓
Maximum heat output	8kW
Maximum log length	15 ^{3/4} " (400mm)
Flue outlet	6" top or rear

Product Codes

Woodburning version	7016
Multi-fuel version (fixed grate/thermostat)	7017
Multi-fuel version (riddling grate/thermostat)	7027
Set of long legs	SH33x4
Ash Caddy	4228

The thermostat and extending riddling lever are discreetly located behind the stove. When not in use the extension slides out of sight, over the main riddling lever. The thermostat is also concealed behind the stove and only the control lever is visible from the front.

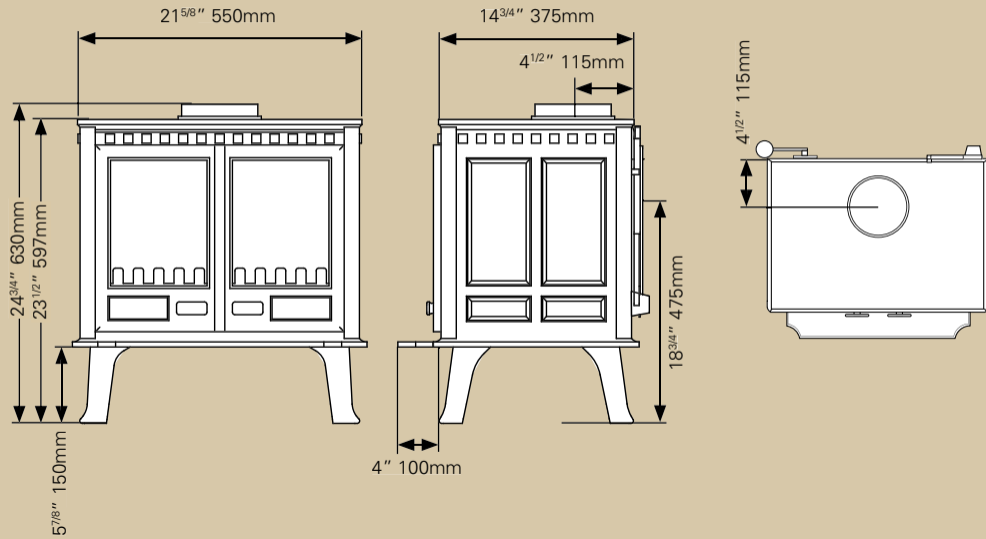


Matt Black

Weight: 100kg

Sheraton

Connects with 6" flue pipe using:



Size	With door	Without door
1' straight	4604	4600
2' straight	4605	4601
3' straight	4606	4602
1' 3" - 2' 1" (telescopic)		4642
3' 4" - 4' 6" (telescopic)		4640
Tee piece with end cap		4616