

Multi-fuel version of Stockton 6 in Matt Black burning logs.



# STEEL

## Stockton 6

The superb combination of size and heating capacity make the standard Stockton 6 particularly versatile. It is produced as a woodburning stove (easily adapted to multi-fuel use with the optional riddling grate kit) or as a dedicated multi-fuel version with external riddling. Alternatively, you can choose the multi-fuel Stockton 6 Highline version (see page 40) - a stove that provides an impressive focal point in kitchens and open plan rooms. All models also accept the optional 'clip-in' steel boiler. This will provide an abundant supply of domestic hot water during the winter months.

### Key Facts

Wood	✓
Multi-fuel kit (with internal riddling)	✓
Multi-fuel (with external riddling)	✓
High efficiency	up to 80%
Approved for Smoke Control Areas	✓
Cleanburn	✓
Airwash	✓
Flat top	✓
Maximum heat output	6kW
Maximum log length	9 <sup>7</sup> / <sub>8</sub> " (250mm)
Boiler option (for outputs see page 63)	✓
Flue outlet	5" top or rear
Choice of four colours	✓



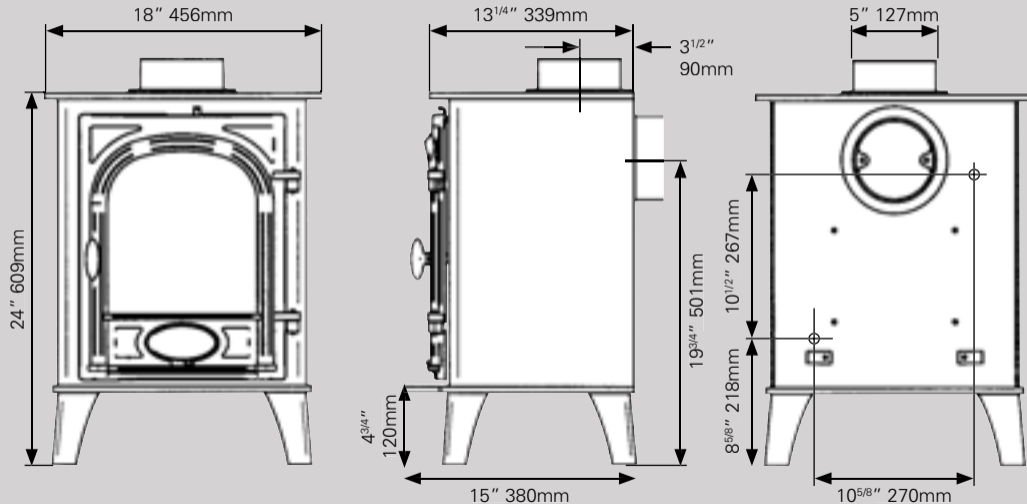
Please see page 63 for the Multi-fuel version of Stockton 6 in Matt Black burning logs.

Multi-fuel version of Stockton 6  
in Matt Black. Pembroke surround  
also by Stovax.



Weight: 140kg

## Stockton 6



Connects with 5" flue pipe using:

Size	With door	Without door
1' straight	4504	4500
2' straight	4505	4501
3' straight	4506	4502
1' 3" – 2' 1" (telescopic)		4542
3' 4" – 4' 6" (telescopic)		4540
Tee piece with end cap		4516

Maximum heat output:  
To boiler 2.9kW (10,000 BTU's)  
To room 3.1kW (10,400 BTU's)  
Total 6kW (20,400 BTU's)