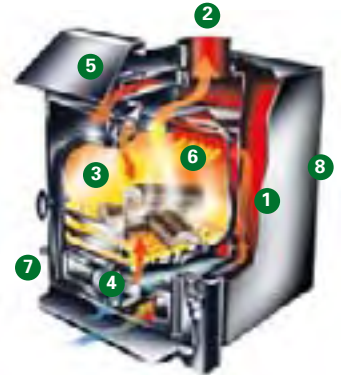




Stockton 7 Inset Convector with flat top, shown here in Matt Black burning logs.

Design Features

- 1 5mm heavy duty steel body.
- 2 Easy fit flue connection through stove.
- 3 High density, thermal brick liner system.
- 4 Cast iron air-tight door with primary air control lever.
- 5 Airwash control lever to maintain a cleaner glass window.
- 6 Heated air jets from cleanburn ports burn hydrocarbons in smoke.
- 7 External riddling lever.
- 8 High output boiler version also available.



STEEL Stockton 7 Inset Convector

The Stockton range has been developed to offer you an inset convector fireplace with most of the heating advantages of a freestanding Stockton stove. With its cleverly designed cleanburn and convection systems, the Stockton 7 Inset Convector is around 4 times more efficient than an open fire; giving you greater control of combustion, more heat for your money and lower fuel costs. There is also an integral boiler version which produces up to 24,000 BTU's of hot water (see pages 56 - 59).

Key Facts

Multi-fuel (with external riddling)	✓
High efficiency	up to 87%
Approved for Smoke Control Areas	✓
Cleanburn	✓
Airwash	✓
Radiant heat + convection systems	✓
Flat top and low canopy versions	✓
Integral Boiler version	✓
Maximum heat output	7kW
Maximum log length	12 ^{3/4} " (325mm)
Flue outlet	5" top
Choice of four colours	✓

Product Codes

Colour	Matt Black	Metallic Blue	Metallic Brown	Metallic Green
Flat top	7125F	7125FBL	7125FBR	7125FGR
Low canopy	7125C	7125CBL	7125CBR	7125CGR
Sparkguard	7227 all models			
Ash Caddy	4227 all models			
Smoke Control Kit	ST5SCKIT all models			



Matt Black



Metallic Blue



Metallic Brown



Metallic Green



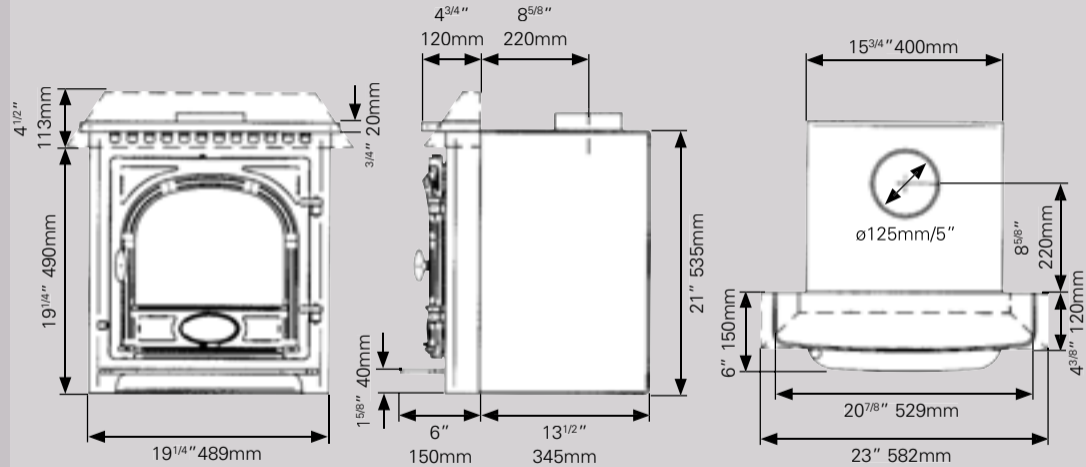
Stockton 7 Inset Convector with canopy top, shown here in Matt Black burning logs.



Stockton 7 Inset Convector

Weight: 120kg

Connects to register plate, flexible flue liner or flue pipe. See installation instructions.



Stockton 7HB Inset Boiler

Weight: 130kg