

This multi-fuel version of the low canopy, single door Stockton 8 is fitted with the optional multi-fuel kit. The stove is shown here in Matt Black burning smokeless fuel.



STEEL

Stockton 8

Little wonder the Stockton 8 is one of our best selling stoves, it offers you more choices and options than any other model. In particular, there is also a space-saving Slimline version (see page 49). This is 3" (75mm) less in depth and, in many cases, means building work will not be required to deepen a fireplace opening. Although shallower, it will still take logs up to 15^{3/4}" (400mm) long. The Stockton 8 is produced with a choice of single or double doors. The two door model is opened and closed with a handy cast iron tool (not shown) which locates over the keystone catch, and then rotates to open or close the doors. To complete its versatility, there is also an integral boiler version of the Stockton 8 which produces up to 34,000 BTUs of hot water (see pages 56 - 59).

Key Facts	Standard	Slimline
Wood	✓	✓
Multi-fuel kit	✓ riddling	✓ non-riddling
Multi-fuel (with external riddling)	✓	✗
High efficiency	up to 81%	
Cleanburn	✓	✓
Airwash	✓	✓
Flat top version	✓	✓
Low and high canopy versions	✓	✗
Single door version	✓	✗
Two door version	✓	✓
Two door, integral boiler version	✓	✗
Boiler option for other versions	✓	✗
Maximum heat output	8kW	7kW
Maximum log length	15 ^{3/4} " (400mm)	15 ^{3/4} " (400mm)
Flue outlet	6" top or rear	6" top or rear
Choice of four colours	✓	✓



Flat top, multi-fuel,
two door version
of Stockton 8 in
Matt Black features
external riddling.



High canopy, two door version of Stockton 8 burning logs. It is shown here in Matt Black.



Standard



Slimline

The Stockton 8 Slimline is 3" (75mm) less in depth.



STEEL

Stockton 8

Product Codes - Standard version

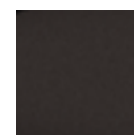
Colour	Matt Black	Metallic Blue	Metallic Brown	Metallic Green
Wood - flat top, single door	7103	7103BL	7103BR	7103GR
Wood - low canopy, single door	7104	7104BL	7104BR	7104GR
Wood - high canopy, single door	7105	7105BL	7105BR	7105GR
Wood - flat top, two doort†	7113	7113BL	7113BR	7113GR
Wood - low canopy, two doort†	7113LC	7113LCBL	7113LCBR	7113LCGR
Wood - high canopy, two doort†	7113HC	7113HCBL	7113HCBR	7113HCGR
Multi-fuel kit	7111CE all models			
Multi-fuel - flat top, two door	7128	7128BL	7128BR	7128GR
Multi-fuel - flat top, two door, integral boiler*	7129	7129BL	7129BR	7129GR
Clip-in boiler	7208 all models			
Sparkguard	7228 all models			
Ash Caddy	4228 all models			

† Two door version - UK Registered Design Application No. 3001055.

* Whilst stocks last

Product Codes - Slimline version

Colour	Matt Black	Metallic Blue	Metallic Brown	Metallic Green
Wood - flat top, two doort	7114	7114BL	7114BR	7114GR
Multi-fuel kit	7111SLCE all models			
Sparkguard	7228 all models			
Ash Caddy	4228 all models			



Matt Black



Metallic Blue



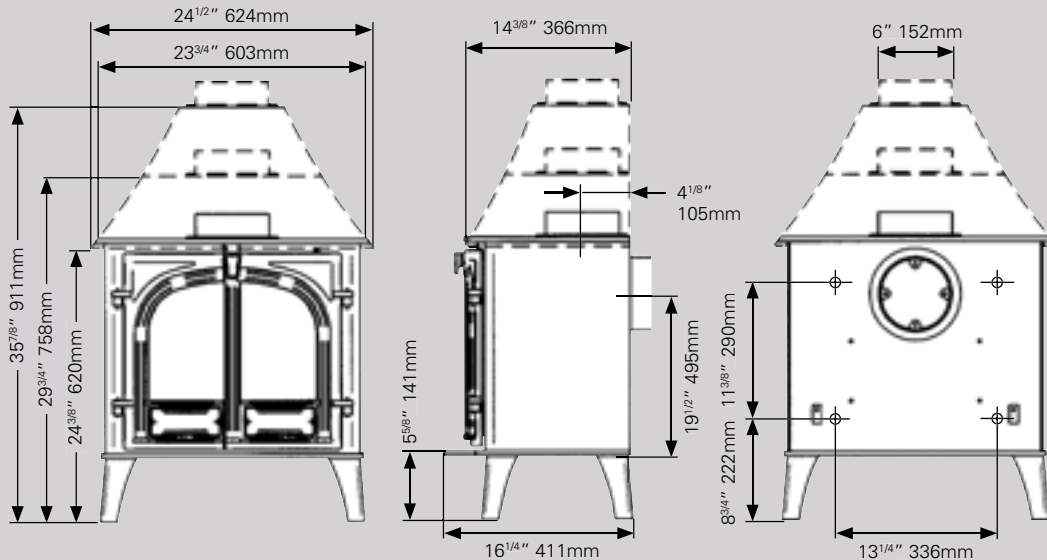
Metallic Brown



Metallic Green

Weight: 120kg - 126kg

Stockton 8



Connects with 6" flue pipe using:

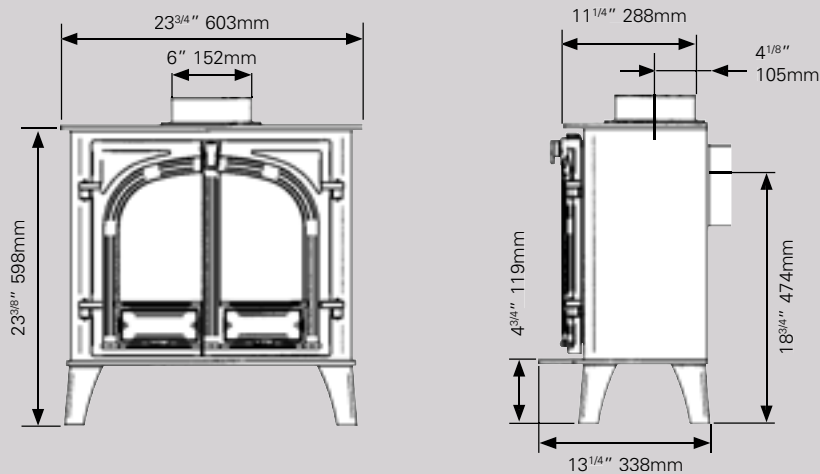
Size	With door	Without door
1' straight	4604	4600
2' straight	4605	4601
3' straight	4606	4602
1' 3" - 2' 1" (telescopic)		4642
3' 4" - 4' 6" (telescopic)		4640
Tee piece with end cap		4616

Maximum heat output for single and 2 door with 'clip-in' boiler:
 To boiler 4.4kW (15,000 BTU's)
 To room 3.6kW (12,200 BTU's)
 Total 8kW (27,200 BTU's)

Maximum heat output for single and 2 door with integral boiler: *
 To boiler 4kW (13,600 BTU's)
 To room 4kW (13,600 BTU's)
 Total 8kW (27,400 BTU's)
 * Whilst stocks last

Weight: 120kg

Stockton 8 Slimline 2 Door



Connects with 6" flue pipe using:

Size	With door	Without door
1' straight	4604	4600
2' straight	4605	4601
3' straight	4606	4602
1' 3" - 2' 1" (telescopic)		4642
3' 4" - 4' 6" (telescopic)		4640
Tee piece with end cap		4616